

Universal Driver Protection Systems (DPS) for Gillig brand buses

INFORMATION SHEET

nfi.parts™

MCI

NEW FLYER

TRANSIT APPLICATION

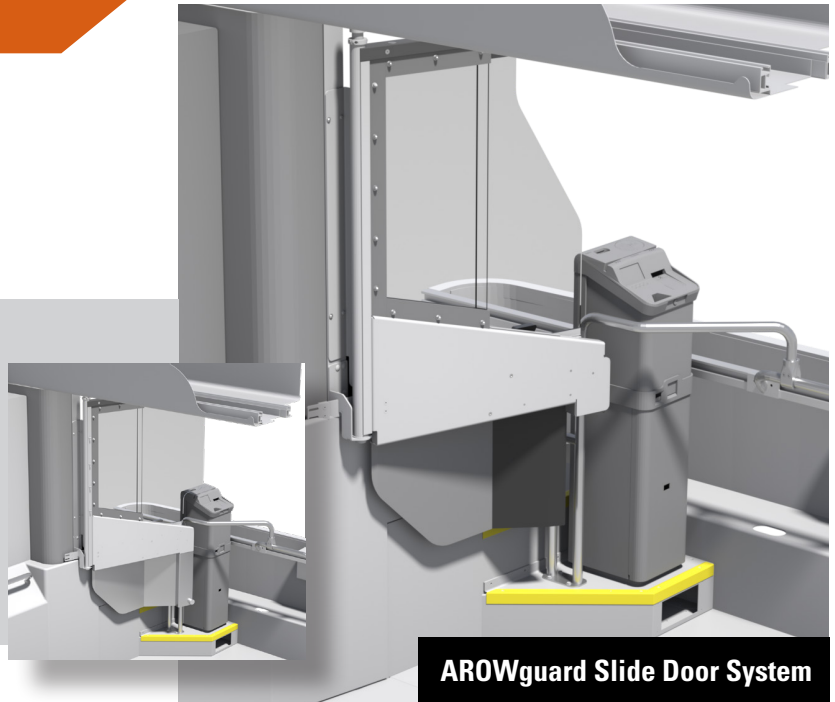
AROWGuard Universal Gillig Solution

Available for 2007 and newer Gillig 35' and 40' buses

Application: Assault and Virus Protection

Fit: Universal Gillig design for buses 35' and 40' bus models from 2007 and on, fits around most farebox installations where farebox does not exceed 14" from front of dash, may require minor adjustments to install

Cost: Dependent on Style (STD or EXT) and volume



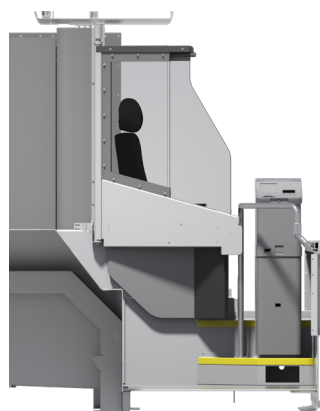
AROWguard Slide Door System

FEATURES

- Fixed door slide system that incorporates a sliding two-piece glass system.
- Allows drivers to select a glass position in the same manner as a driver's window.
- Easy to close and protect the driver.
- Utilizes a time-tested and robust rocker latch.
- Incorporates a hinge design, free of pinch points and rattling.
- Standard and Extended sash options.
- Long-term solution providing both health and safety benefits.
- Uses AS2 Glass with OptiView anti-glare coating
- DPS is compliant with American National Standard for Safety Glazing Materials (ANSI) /SAE Z26.1- 1996 standards.

The AROWGuard Universal Gillig DPS

Available in 2 options.



Standard glass 6483914



Extended glass 6483944

NFI Part No.	Description	Options
6483944	DPS-UNIVERSAL GILLIG 35/40-EXT/SLIDE	Extended Glass Profile
6483914	DPS-UNIVERSAL GILLIG 35/40-STD/SLIDE	Standard Glass Profile

Information on this sheet is subject to change at the discretion of NFI Parts and/or its affiliates. Contact your NFI Parts solutions manager or customer service representative for further details. All product names, trademarks, and registered trademarks are property of their respective owners. NFI Parts disclaims any proprietary interest in the marks and names of others.

nfi.parts™
www.nfi.parts

NEW FLYER

U.S. & Canada
800.665.2637

MCI

U.S. 800.323.1290
Canada 800.665.0155
partsstore.nfi.parts